

A100/1000 Alcamodul

Pre-wall installation system for building into solid walls

Application

For installation of wall-hung WC pans with a connecting pitch of 180 mm or 230 mm

For wall-hung WC

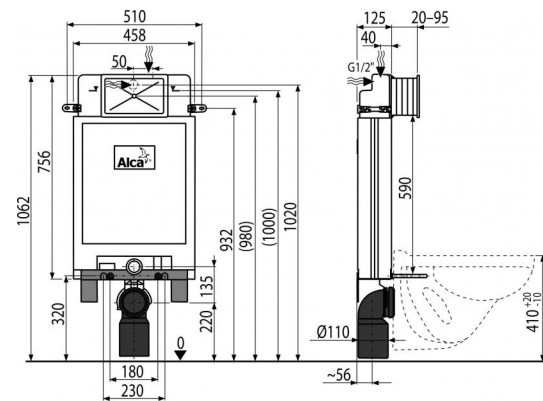
For walling in and around the bearing wall - wet process

Features

- Dual flush, independently adjustable with hygienic reserve
- Compatible with all ALCA flush plates
- The construction of the polystyrene insulation simplifies the process of walling-in, prevents condensation forming on the surface of the tank and dampens the vibrations from the tank into the building structure
- The service opening cover simplifies assembly and prevents the penetration of moisture and impurities
- Installation depth adjustable from 20-95 mm
- Mounting height 1062 mm
- Suitable for installation of remote or sensor flushing
- The cistern is made of one piece, thus ensuring 100% impermeability
- Mounting bracket ensures high rigidity of the toilet connection to the wall
- Necessary to wall under or use supporting feet M90
- Water supply from the rear / top
- Dimensions and construction of the console simplify installation
- Maintenance work without using any tools
- Installation depth 125 mm

Scope of supply

- Fixation material for fixing the WC pan: Threaded rod M12 - 2 pcs, washers - 4 pcs, cover - 2 pcs, nut - 2 pcs, thread protector - 2 pcs
- Elbow waste connector HT90 / 110 polyethylene, PE-HD
- Service opening cover is simply adjustable, screws 4 pcs
- Mounting bracket
- End-caps set for protecting the connecting holes during installation of the system
- Flushing mechanism screw 2 pcs
- Fittings 1/2" water connection with the integrated angle valve Schell 1/2-3/8"
- Telescopic mounting brackets 2 pcs
- Drainage seal, PP connector, connector seal
- Inlet seal, PP outlet, wrapping seal



Order number, Logistic information

Code	EAN	Weight (kus packing palett)	Dimensions (piece packing)	Quantity (packing palett)
A100/1000	8594045935790	7,3146 0,0000 167,5800 kg	1050×480×140 – mm	1 20 pcs

Guarantee

2/6 years

Customs code

39229000

Norms

EN 14124, EN 14055

Technical specifications

- Recommended range of water pressure 0,3-0,5 MPa
- Hygienic reserve 3 l
- Water volume in the cistern 9 l
- Water connection from the back or top via mounting holes G1/2"
- The default setting of small flush 3 l
- The default setting of large flush 6 l
- Load test 400 kg