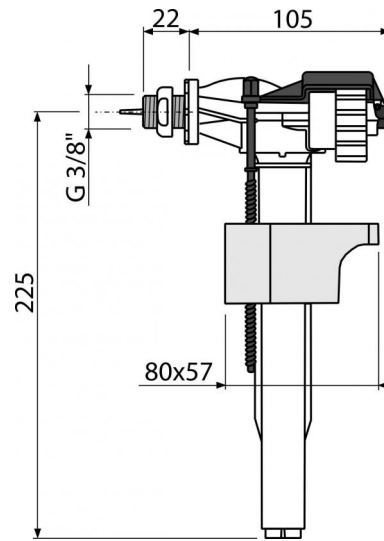


# A16P-3/8"

Side inlet fill valve metal thread for plastic WC cisterns



### Application

For installation on the side of the cistern  
 For plastic cisterns and pre-wall installation systems  
 For replacement

### Features

- Compatible with pre-wall installation systems Alcaplast range A
- Metal thread length 22 mm
- Low sensitivity to the changing pressure in the water main
- Material: ABS
- Adjustable water level
- Smooth closing without any shocks
- Built-in filter to trap dirt

### Scope of supply

- Nut 3/8" – white
- Strainer for dirt
- Valve

### Order number, Logistic information

Code	EAN	Weight (kus   packing   palett)	Dimensions (piece   packing)	Quantity (packing   palett)
A16P-3/8"	8594045938500	0,1590   12,1950   215,1200 kg	235×130×60   590×430×390 mm	75   1200 pcs

### Guarantee

2/3 years

### Customs code

84818019

### Norms

EN 14124

### Technical specifications

- Acoustic group I <20 dB
- Recommended operating pressure 0,5-0,8 MPa
- Working range 0,05-0,8 MPa
- Thread diameter 3/8 "