

Oatey®



deliver quality. build trust. improve lives.

POWER OF ONE

#1 in the industry. Oatey® is the number one source for purchasing the leading brands in the plumbing and home improvement industries.

One call does it all. Only Oatey brings you the plumbing industry's best brands in one source. Making it easy to purchase any product across all our brands on one invoice, in one shipment.

TO PLACE AN ORDER
Contact your local Oatey Representative
800-321-9532
Oatey.com

Oatey

the choice of plumbing professionals

**QUIET
PIPES®**



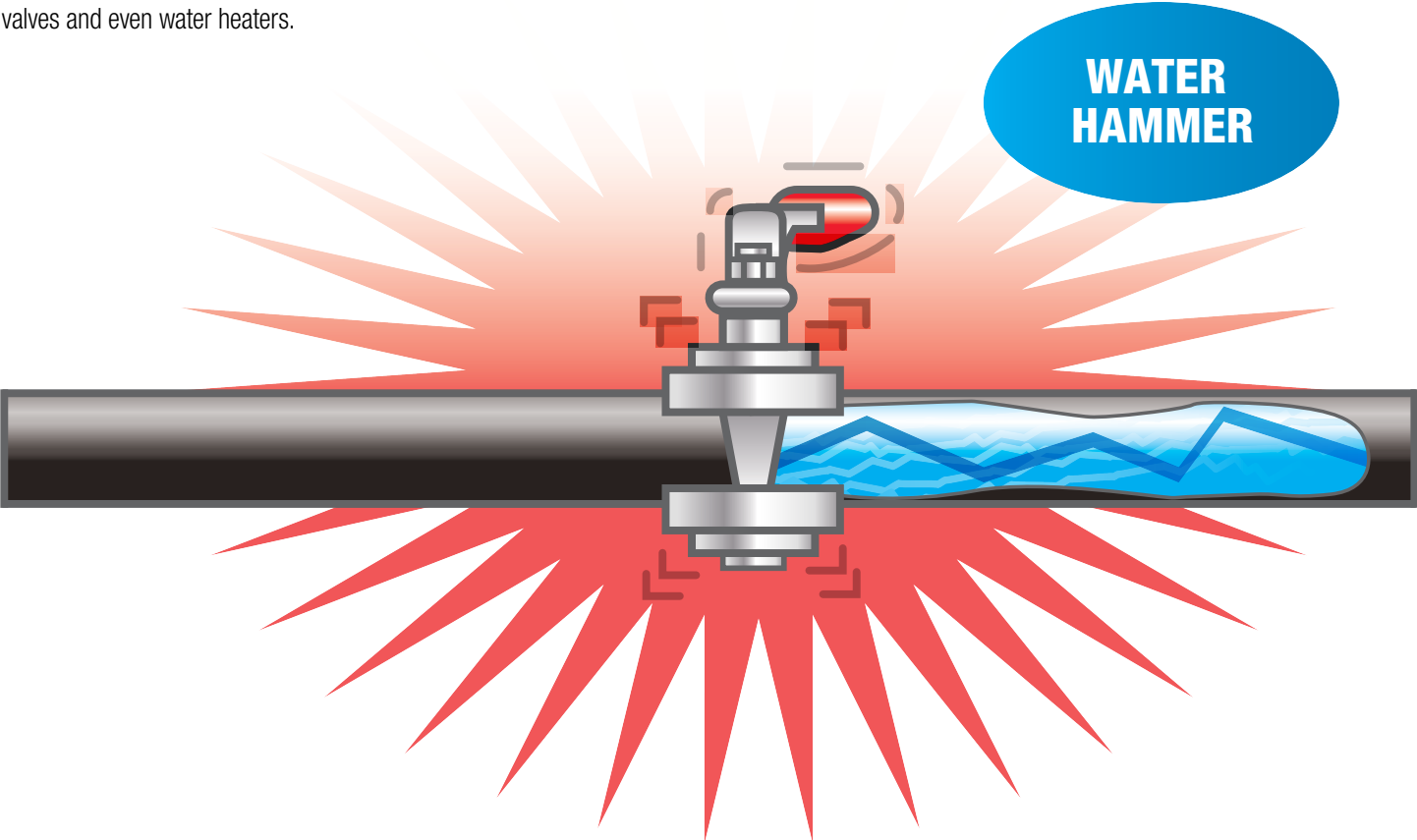
SILENCE THE WATER HAMMER
Quiet Pipes® Water Hammer Arrestors

WHAT IS WATER HAMMER?

The persistent clanking, banging and pounding in your pipes behind the wall might sound like a tiny war is being waged but have no fear, Oatey Quiet Pipes® is finally here.

That annoying sound is called water hammer and it can happen just about anywhere in any type of building. Water hammer can occur when flushing your toilet, turning on or off a water valve or even with the changing of cycles in your washing machine. The change in water flow causes waves inside the pipes that create a hammer sound. Depending on the size of the plumbing system, water hammer can cause serious damage to pipes.

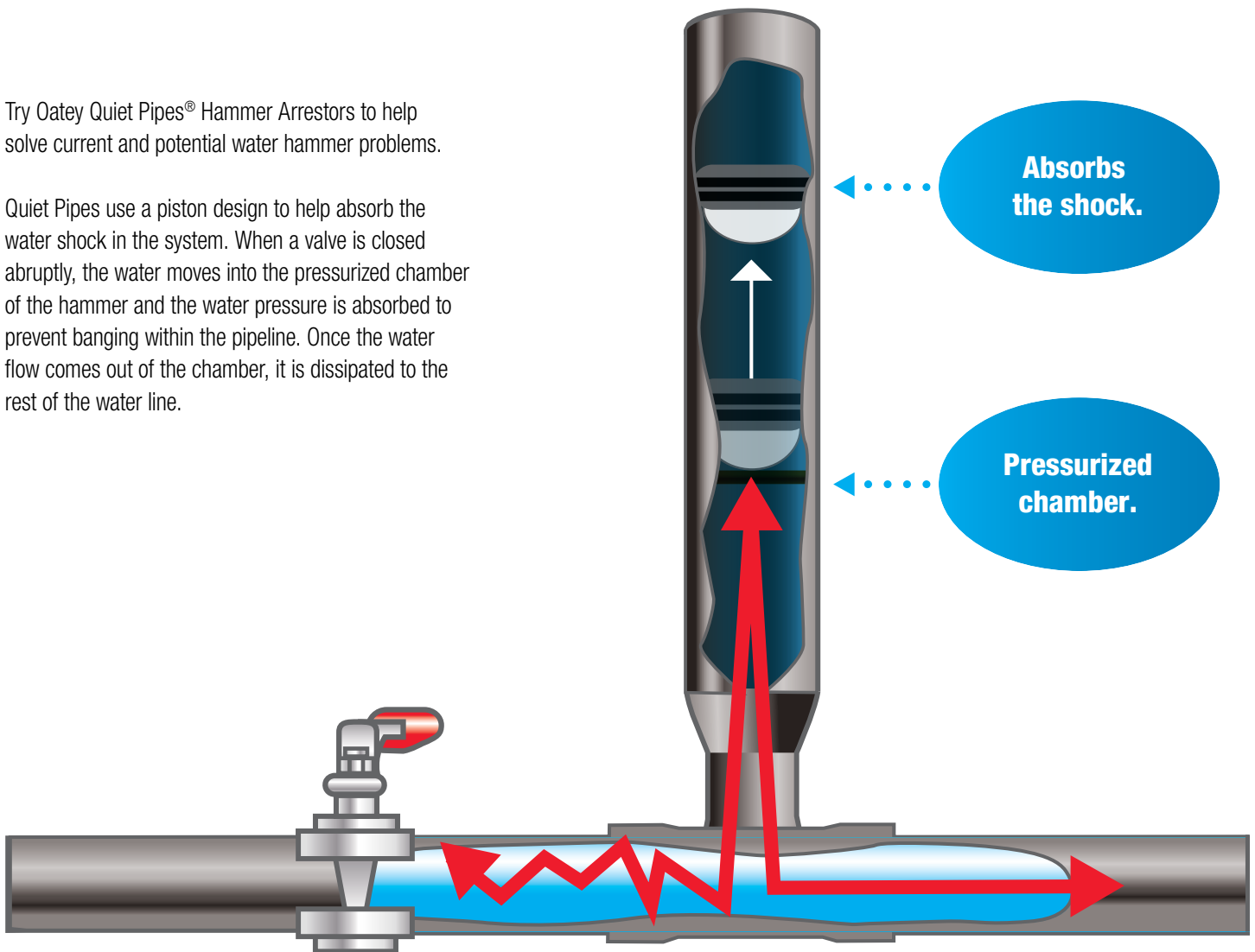
Left untreated, water hammer can harm different parts of the plumbing system including pipe supports, faucets, valves and even water heaters.



THERE'S ONLY ONE SOLUTION.

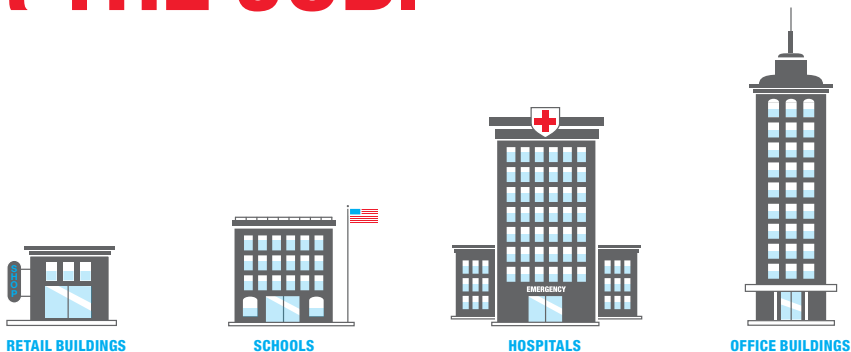
Try Oatey Quiet Pipes® Hammer Arrestors to help solve current and potential water hammer problems.

Quiet Pipes use a piston design to help absorb the water shock in the system. When a valve is closed abruptly, the water moves into the pressurized chamber of the hammer and the water pressure is absorbed to prevent banging within the pipeline. Once the water flow comes out of the chamber, it is dissipated to the rest of the water line.



FINDING THE RIGHT PRODUCT FOR THE JOB.

COMMERCIAL Multi-Fixture Plumbing Groups



Sizing/Placement Guideline

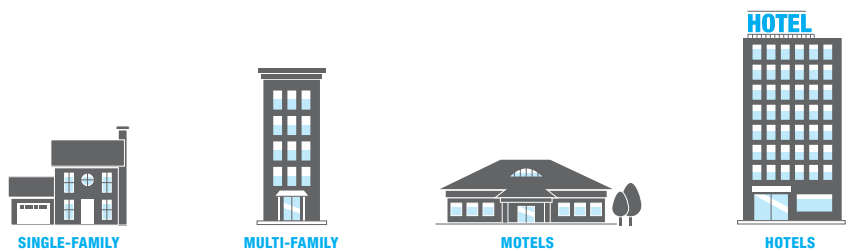
The proper arrestor size depends on the total number of fixture units on each hot and cold branch line. Each arrestor will be placed at the end of the branch line.

Quiet Pipes Arrestors

ANSI/ASSE 1010-2004
Certified A–F size arrestors.



RESIDENTIAL Single-Fixture and Private Plumbing Groups



Sizing/Placement Guideline

For use on dishwashers, washing machines and tub/shower valves.



Quiet Pipes Arrestors

ANSI/ASSE 1010-2004
Certified AA size arrestors.



WHY CHOOSE OATEY QUIET PIPES HAMMER ARRESTORS?

FEATURES & BENEFITS

- Quiet Pipes® utilizes a polypropylene **piston design** with two NBR O-rings to absorb the shock in the system.
- Oatey Quiet Pipes® water hammer arrestors carry a **limited warranty** that is equal in duration to the lifetime of the plumbing system in which they are installed. All other terms and conditions of the Limited Warranty shall apply to these products. See [Oatey.com/warranty](https://www.oatey.com/warranty) for warranty details.
- Quiet Pipes come in a **range of connection types** including MIP, CPVC, PEX and more.
- Quiet Pipes conform to **ANSI/ASSE 1010–2004** and are listed and approved for installation with no access panel required.
- Through **12 manufacturing and distribution facilities**, Oatey designs, manufactures and sources over 10,000 plumbing related products. Nearly 80% of our products are manufactured in the United States, and distributed in more than 70 countries worldwide.



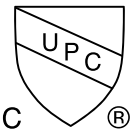
RESIDENTIAL & COMMERCIAL CODE REQUIREMENTS



ASSE 1010
All Oatey Quiet Pipes are ASSE 1010 Certified. UPC, IPC, and NPCC all require the installation of ASSE 1010 Certified Water Hammer Arrestors on all quick-closing valves to control water hammer in both residential and commercial applications.



PDI WH-201-2017
All Oatey Quiet Pipes are certified to PDI WH-201. This certification is well recognized in the plumbing and drainage industry.



UPC 609.10 Water Hammer.
Building water supply systems where quick-acting valves are installed shall be provided with water hammer arrestor(s) to absorb high pressures resulting from the quick closing of these valves. Water hammer arrestors shall be approved mechanical devices in accordance with ASSE 1010 or PDI-WH 201 and shall be installed as close as possible to quick-acting valves.



IPC 604.9 Water hammer.
The flow velocity of the water distribution system shall be controlled to reduce the possibility of water hammer. A water hammer arrestor shall be installed where quick-closing valves are utilized. Water hammer arrestors shall be installed in accordance with the manufacturer's instructions. Water hammer arrestors shall conform to ASSE 1010.



NPCC A-2.6.1.9.(1) Water Hammer Prevention.
Water hammer is a buildup of pressure in a length of horizontal or vertical pipe that occurs when a valve or faucet is closed suddenly. The longer the pipe and the greater the water velocity, the greater the pressure exerted on the pipe, which can be many times the normal static water pressure and be sufficient to damage the piping system. Since air chambers made from a piece of vertical pipe do not provide acceptable protection, pre-manufactured water hammer arrestors are required to address this potential problem. Water hammer arrestors need not be installed at every valve or faucet, nor in every piping system.

SPEC'D FOR THE PROS.

Oatey Quiet Pipes will go head-to-head with any water hammer arrester manufacturer, and outperform the competition in nearly every major category. See for yourself why Quiet Pipes are the choice of plumbing professionals everywhere.

TRUSTED

- Comprehensive technical support
- Reputable leadership in the plumbing industry
- Experienced customer service professionals

STRONG

- Regional distribution: Cleveland, Dallas, Denver, Newark, Toronto and Monterrey, Mexico
- Multiple manufacturing locations: Colorado, Minnesota, Nebraska, Ohio and China
- ISO 9001 Certified
- Twenty-three categories with a broad range of products

EFFICIENT

- VMI - Vendor Managed Inventory
- EDI - Paperless ordering, invoices and ship notices
- Automatic acknowledgments and confirmations of shipments
- Economical minimum orders for prepaid freight
- Multi-branded promotional opportunities

SAFE

- C-TPAT participant



OATEY® GOES HEAD-TO-HEAD

YES NO

	Oatey®	Competitor A	Competitor B	Competitor C	Competitor D
Permanent Gas Charge	<input checked="" type="checkbox"/>	<input checked="" type="checkbox"/>	<input checked="" type="checkbox"/>	<input checked="" type="checkbox"/>	<input checked="" type="checkbox"/>
Dual O-ring or Better	<input checked="" type="checkbox"/>	<input checked="" type="checkbox"/>	<input type="checkbox"/>	<input checked="" type="checkbox"/>	<input checked="" type="checkbox"/>
ASSE 1010 Certified AA-F	<input checked="" type="checkbox"/>	<input checked="" type="checkbox"/>	<input checked="" type="checkbox"/>	<input checked="" type="checkbox"/>	<input checked="" type="checkbox"/>
O Chamber Seams	<input checked="" type="checkbox"/>	<input checked="" type="checkbox"/>	<input type="checkbox"/>	<input type="checkbox"/>	<input type="checkbox"/>



QUIET PIPES® RESIDENTIAL PRODUCT LINE

STRAIGHT & WASHING MACHINE



ITEM NO.	DESCRIPTION	CASE PACK	UPC
34498	Quiet Pipes Hammer Arrestor, 1/2" Male Sweat/ Press Fitting, Straight, AA	12	038753344980
34458	Quiet Pipes Hammer Arrestor, 1/2" CPVC Female, Straight, AA	30	038753344584
34459	Quiet Pipes Hammer Arrestor, 1/2" CPVC Male, Straight, AA	30	038753344591
34460	Quiet Pipes Hammer Arrestor, 1/2" F1960, Straight, AA	30	038753344607
34461	Quiet Pipes Hammer Arrestor, 1/2" F1807, Straight, AA	30	038753344614
34463	Quiet Pipes Hammer Arrestor, 3/4" Male Sweat, Straight, AA	30	038753344638
39177	Quiet Pipes Hammer Arrestor, 1/2" MIP, Straight, AA	6	038753391779
38600	Quiet Pipes Washing Machine Supply Line Shock Absorber, AA	6	038753386003

PEX TEE



ITEM NO.	DESCRIPTION	CASE PACK	UPC
34471	Quiet Pipes Hammer Arrestor, 1/2" PEX F1960 Tee, AA	30	038753344713
34472	Quiet Pipes Hammer Arrestor, 1/2" PEX F1807 Tee, AA	30	038753344720

COMPRESSION TEE



ITEM NO.	DESCRIPTION	CASE PACK	UPC
34473	Quiet Pipes Hammer Arrestor, 1/4" O.D. Compression Tee, AA	30	038753344737
34474	Quiet Pipes Hammer Arrestor, 3/8" O.D. Compression Tee, AA	30	038753344744

FEMALE COMPRESSION TEE



ITEM NO.	DESCRIPTION	CASE PACK	UPC
34475	Quiet Pipes Hammer Arrestor, 1/4" O.D. Compression x Female Tee, AA	30	038753344751
34465	Quiet Pipes Hammer Arrestor, 3/8" O.D. Compression x Female Tee, AA	30	038753344652
34467	Quiet Pipes Hammer Arrestor, 5/8" O.D. Compression x Female Tee, AA	30	038753344676

TO PLACE AN ORDER

Contact your local Oatey Representative
800-321-9532 | Oatey.com



QUIET PIPES®

COMMERCIAL PRODUCT LINE

STRAIGHT MALE IRON PIPE



ITEM NO.	DESCRIPTION	CASE PACK	UPC
34481	Quiet Pipes Hammer Arrestor, 1/2" MIP, Straight, A	12	038753344812
34484	Quiet Pipes Hammer Arrestor, 3/4" MIP, Straight, B	30	038753344843
34485	Quiet Pipes Hammer Arrestor, 1" MIP, Straight, C	24	038753344850
34497	Quiet Pipes Hammer Arrestor, 1" MIP, Straight, D	6	038753344973
34479	Quiet Pipes Hammer Arrestor, 1" MIP, Straight, E	6	038753344799
34480	Quiet Pipes Hammer Arrestor, 1" MIP, Straight, F	6	038753344805

STRAIGHT MALE SWEAT/PRESS FITTING



ITEM NO.	DESCRIPTION	CASE PACK	UPC
34499	Quiet Pipes Hammer Arrestor, 1/2" Male Sweat/Press, Straight, A	12	038753344997
34500	Quiet Pipes Hammer Arrestor, 3/4" Male Sweat/Press, Straight, B	12	038753345000
34501	Quiet Pipes Hammer Arrestor, 1" Male Sweat/Press, Straight, C	6	038753345017
34502	Quiet Pipes Hammer Arrestor, 1" Male Sweat/Press, Straight, D	6	038753345024
34503	Quiet Pipes Hammer Arrestor, 1" Male Sweat/Press, Straight, E	6	038753345031
34504	Quiet Pipes Hammer Arrestor, 1" Male Sweat/Press, Straight, F	6	038753345048

CPVC SOCKET ASTM D 2846



ITEM NO.	DESCRIPTION	CASE PACK	UPC
34491	Quiet Pipes Hammer Arrestor, 1/2" CPVC Socket, Straight, A	24	038753344911
34492	Quiet Pipes Hammer Arrestor, 3/4" CPVC Socket, Straight, B	24	038753344928
34477	Quiet Pipes Hammer Arrestor, 1" CPVC Socket, Straight, C	12	038753344775

ASTM PEX F1807 CRIMP & ASTM PEX F1960 GRIP



ITEM NO.	DESCRIPTION	CASE PACK	UPC
34482	Quiet Pipes Hammer Arrestor, 1/2" F1807, Straight, A	12	038753344829
34493	Quiet Pipes Hammer Arrestor, 3/4" F1807, Straight, B	30	038753344935
34494	Quiet Pipes Hammer Arrestor, 1" F1807, Straight, C	24	038753344942
34476	Quiet Pipes Hammer Arrestor, 1/2" F1960, Straight, A	12	038753344768
34495	Quiet Pipes Hammer Arrestor, 3/4" F1960, Straight, B	30	038753344959
34496	Quiet Pipes Hammer Arrestor, 1" F1960, Straight, C	24	038753344966



OATEY QUIET PIPES® HAMMER ARRESTORS SIZE AA

SPECIFICATIONS

Oatey Quiet Pipes Hammer Arrestors shall be installed in any small diameter pipe supply application which could experience water hammer due to quick closing valves or faucets. Arrestor chambers shall be specifically sized to accommodate and dissipate energy generated by such valves and faucets. Arrestors shall be effective when installed at any angle. Arrestor shall be lead-free, made of copper and include a polypropylene piston with two NBR o-rings. Arrestors shall be ANSI/ASSE1010-2004, listed and approved for installation with no access panel required. Compatible with press fittings or push fittings.

FEATURES & MATERIALS

Arrestor Body	Copper (Type L)
Piston	Polypropylene with two NBR O-rings
Piston Lubrication	Dow Corning Molykote 111
Fittings Available	Male Sweat, Female CPVC, Male CPVC, F1807 PEX & F1960 PEX (no lead brass C46400)

PERFORMANCE SPECIFICATIONS

Temperature Range	33°- 180° F
Max Working Pressure	0-60 PSI

LISTINGS & CODE APPROVALS

ANSI/ASSE1010-2004
cUPC
PDI WH-201-2017

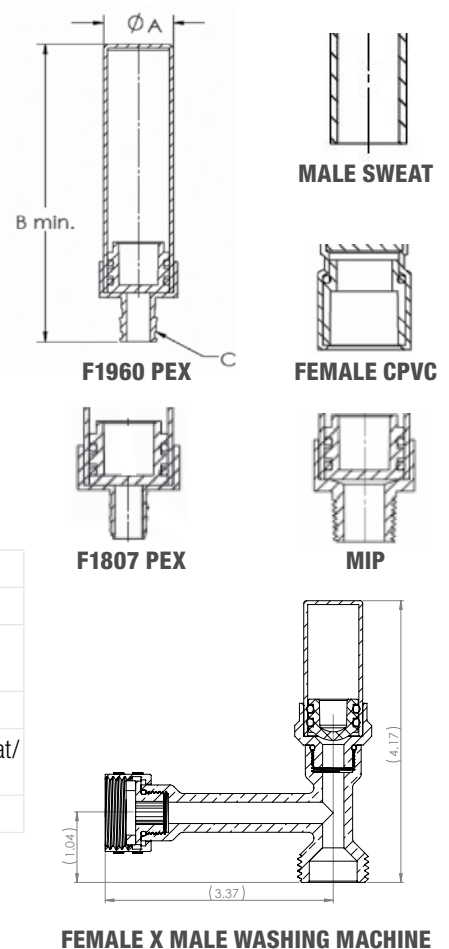


DIMENSIONS

Arrestor Size	AA	AA	AA	AA	AA	AA	AA	AA
Product #	34498	34458	34459	34460	34461	39177	38600	34463
Arrestor Body Diameter [A]:	0.875"	0.875"	0.875"	0.875"	0.875"	0.87"	0.87"	0.875"
Overall Height [B]:	5.57"	2.95"	3.63"	3.83"	3.85"	2.75"	4.38"	5.36"
Fitting Type [C]:	Male Sweat/ Press	Female CPVC	Male CPVC	F1960 PEX	F1807 PEX	MIP	Branch	Male Sweat/ Press
Fitting Size [C]:	1/2"	1/2"	1/2"	1/2"	1/2"	1/2"	3/4"	3/4"

PRODUCT SELECTOR

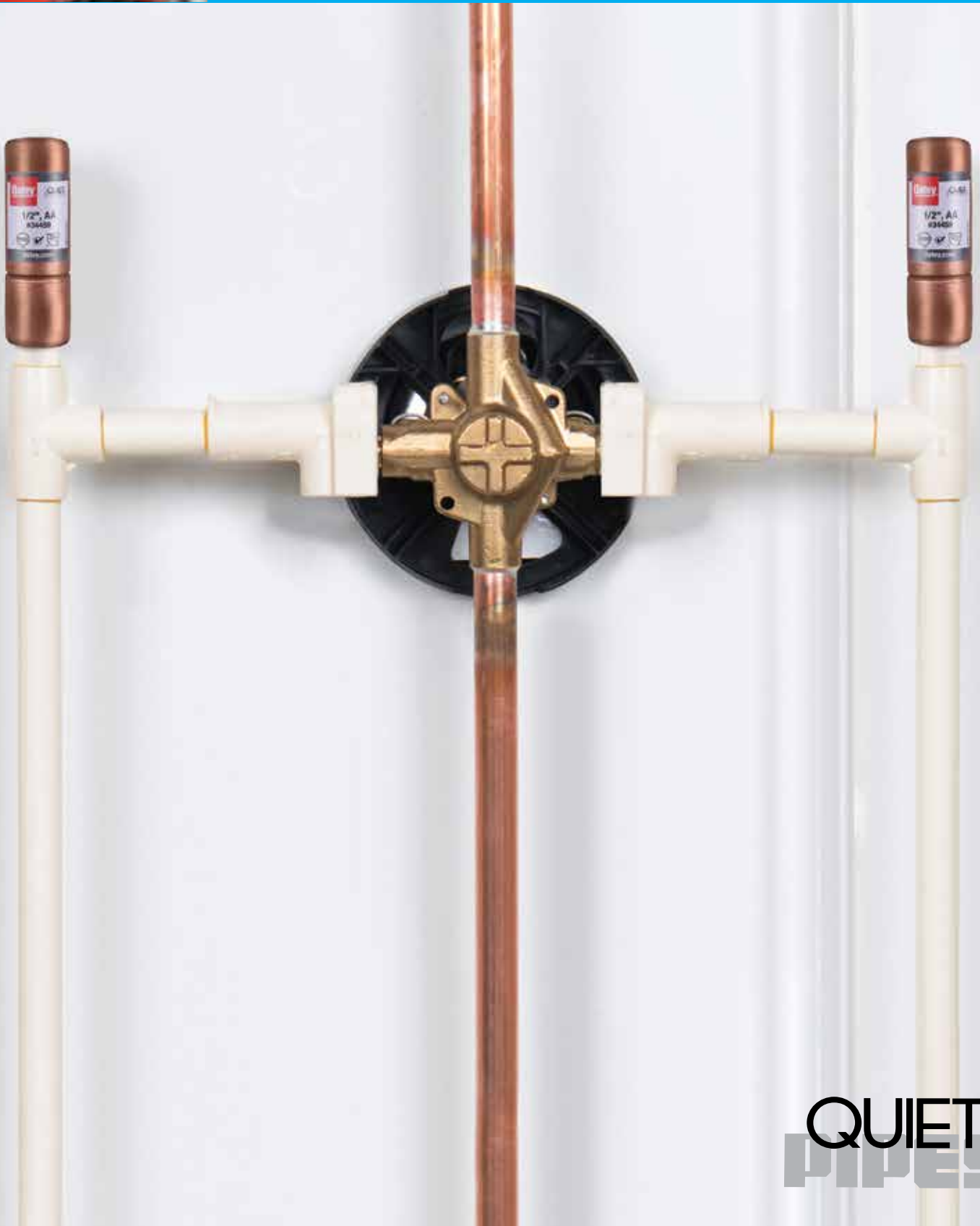
✓	Product Number	Description	✓	Product Number	Description
	34498	AA, 1/2" Male Sweat/Press		34461	AA, 1/2" F1807 PEX
	34458	AA, 1/2" Female CPVC		39177	AA, 1/2" MIP
	34459	AA, 1/2" Male CPVC		38600	AA, 3/4" x 3/4" Washing Machine
	34460	AA, 1/2" F1960 PEX		34463	AA, 3/4" Male Sweat/Press



*Limited Lifetime Warranty – See Oatey.com/warranty for details.



“MY CUSTOMER SAID QUIET PIPES WORK LIKE MAGIC. THAT’S GOOD ENOUGH FOR ME.”



**QUIET
PIPES®**



OATEY QUIET PIPES® HAMMER ARRESTORS TEE FITTING

SPECIFICATIONS

Oatey Quiet Pipes Hammer Arrestors shall be installed in any diameter pipe supply application which could experience water hammer due to quick closing valves or faucets. Arrestor chambers shall be specifically sized to accommodate and dissipate energy generated by such valves and faucets. Arrestors shall be effective when installed at any angle. Arrestor shall be lead-free, made of copper and include a polypropylene piston with two NBR o-rings. Arrestors shall conform to ANSI/ASSE1010-2004, listed and approved for installation with no access panel required.

FEATURES & MATERIALS

Arrestor Body	Copper (Type L)
Piston	Polypropylene with two NBR O-rings
Piston Lubrication	Dow Corning Molykote 111
Fittings Available	Female Compression, O.D. Compression, F1807 PEX & F1960 PEX (no lead brass C46400)

PERFORMANCE SPECIFICATIONS

Temperature Range	33°- 180° F
Max Working Pressure	0-60 PSI

LISTINGS & CODE APPROVALS



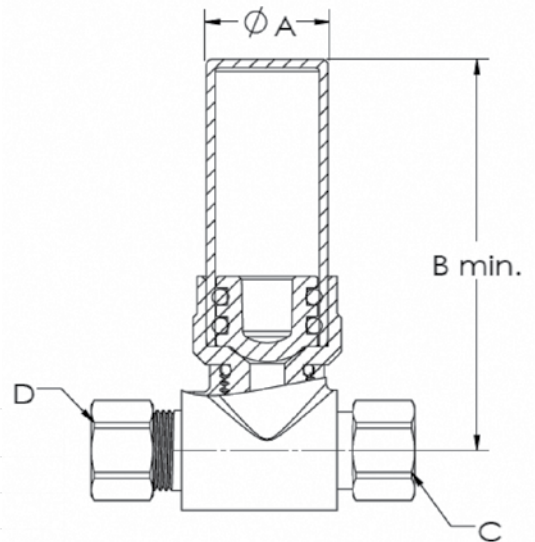
ANSI/ASSE1010-2004
cUPC
PDI WH-201-2017

DIMENSIONS

Arrestor Size	AA	AA	AA	AA	AA	AA	AA
Product #	34473	34475	34465	34474	34471	34472	34467
Arrestor Body Diameter [A]:	0.875"	0.875"	0.875"	0.875"	0.875"	0.875"	0.875"
Overall Height [B]:	2.75"	2.75"	2.75"	2.75"	2.75"	2.75"	2.75"
Connection Type [C]:	O.D. Comp.	Female Comp.	Female Comp.	O.D. Comp.	F1960 PEX	F1807 PEX	Female Comp.
Connection Type [D]:	O.D. Comp.	O.D. Comp.	O.D. Comp.	O.D. Comp.	F1960 PEX	F1807 PEX	O.D. Comp.
Connection Size	1/4"	1/4"	3/8"	3/8"	1/2"	1/2"	5/8"

PRODUCT SELECTOR

✓ Product Number	Description	✓ Product Number	Description
34473	AA, 1/4" O.D. Compression	34471	AA, 1/2" F1960 PEX
34475	AA, 1/4" O.D. Compression x Female Tee	34472	AA, 1/2" F1807 PEX
34465	AA, 3/8" O.D. Compression x Female Tee	34467	AA, 5/8" O.D. Compression x Fem
34474	AA, 3/8" O.D. Compression		



*Limited Lifetime Warranty – See Oatey.com/warranty for details.



“QUIET PIPES HAVE TONS OF CONNECTION OPTIONS, SO I DON’T WASTE MONEY ON ADDITIONAL JOINTS.”



QUIET[®]
PIPES



OATEY QUIET PIPES® HAMMER ARRESTORS SIZE A-F

SPECIFICATIONS

Oatey Quiet Pipes Hammer Arrestors shall be installed in any diameter pipe supply application which could experience water hammer due to quick closing valves or faucets. Arrestor chambers shall be specifically sized to accommodate and dissipate energy generated by such valves and faucets. Arrestors shall be effective when installed at any angle. Arrestor shall be lead-free, made of copper and include a polypropylene piston with two NBR o-rings. Arrestors shall be ANSI/ASSE1010-2004 certified and approved for installation with no access panel required. Compatible with press fittings or push fittings.

FEATURES & MATERIALS

Arrestor Body	Copper (Type K)
Piston	Polypropylene with two NBR O-rings
Piston Lubrication	Dow Corning Molykote 111
Fittings Available	Male Sweat Press, Female CPVC, MIP, F1807 PEX & F1960 PEX (no lead brass C46400)



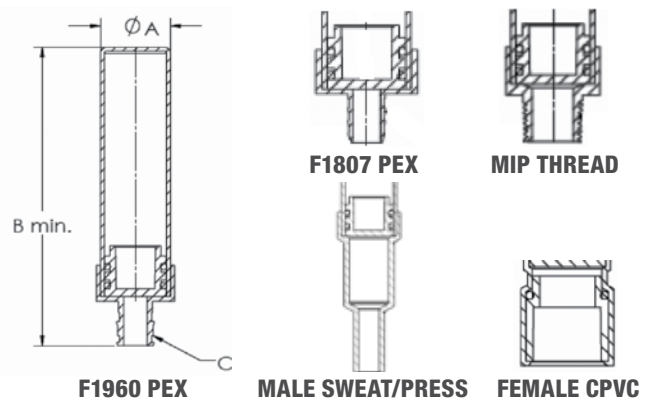
PERFORMANCE SPECIFICATIONS

Temperature Range	33°- 180° F
Max Working Pressure	0-400 PSI

LISTINGS & CODE APPROVALS



ANSI/ASSE1010-2004
cUPC
PDI WH-201-2017



DIMENSIONS

Arrestor Size	A	A	A	A	A	B	B	B	B	B	C	C	C	C	C	D	D	E	E	F	F
Product #	34476	34481	34482	34499	34491	34500	34484	34492	34493	34495	34477	34485	34501	34494	34496	34502	34497	34479	34503	34480	34504
Arrestor Body Diameter [A]:	1.125"	1.125"	1.125"	1.125"	1.125"	1.125"	1.125"	1.125"	1.125"	1.125"	1.375"	1.375"	1.375"	1.375"	1.375"	1.625"	1.625"	2.125"	2.125"	2.125"	2.125"
Overall Height [B]:	4.78"	4.76"	4.68"	6.73"	4.93"	7.31"	5.39"	5.82"	5.32"	5.6"	6.94"	6.74"	8.45"	6.57"	6.96"	10.08"	8.10"	9.24"	11.00"	11.23"	13.00"
Fitting Type [C]:	F1960 PEX	MIP	F1807 PEX	Male Sweat/Press	Female CPVC	Male Sweat/Press	MIP	Female CPVC	F1807 PEX	F1960 PEX	Female CPVC	MIP	Male Sweat/Press	F1807 PEX	F1960 PEX	Male Sweat/Press	MIP	MIP	Male Sweat/Press	MIP	Male Sweat/Press
Fitting Size [C]:	1/2"	1/2"	1/2"	1/2"	1/2"	3/4"	3/4"	3/4"	3/4"	3/4"	1"	1"	1"	1"	1"	1"	1"	1"	1"	1"	1"

PRODUCT SELECTOR

✓	Product Number	Description	✓	Product Number	Description	✓	Product Number	Description	✓	Product Number	Description
	34476	A, 1/2" F1960 PEX		34484	B, 3/4" MIP		34485	C, 1" MIP		34497	D, 1" MIP
	34481	A, 1/2" MIP		34492	B, 3/4" Female CPVC		34501	C, 1" Male Sweat/Press		34479	E, 1" MIP
	34482	A, 1/2" F1807 PEX		34493	B, 3/4" F1807 PEX		34494	C, 1" F1807 PEX		34503	D, 1" Male Sweat/Press
	34499	A, 1/2" Male Sweat/Press		34495	B, 3/4" F1960 PEX		34496	C, 1" F1960 PEX		34480	F, 1" MIP
	34491	A, 1/2" Female CPVC		34477	C, 1" Female CPVC		34502	D, 1" Male Sweat/Press		34504	F, 1" Male Sweat/Press
	34500	B, 3/4" Male Sweat/Press									

*Limited Lifetime Warranty – See Oatey.com/warranty for details.



“WITH OATEY, I CAN ORDER EVERYTHING I NEED WITH A SINGLE PHONE CALL. IT COULDN’T BE EASIER.”



**QUIET
PIPES®**