



# QuickFacts

## NFB-C Series Condensing Fire Tube Commercial Boilers

### Navien Certification Summary

	Model	
	NFB-301C	NFB-399C
	<b>Product Approvals</b>	
<b>CSA</b>	Yes	Yes
<b>SCAQMD 1146.2 (NOx, &lt;20 ppm)</b>	Yes	Yes
<b>ASME</b>	Yes "H" stamp	Yes "H" stamp
<b>AHRI Number</b>	201925233	201786061
<b>Energy Star</b>	Yes	Yes
	<b>Space Heating Ratings</b>	
<b>Thermal Efficiency %</b>	97.5	97.5
<b>Space Heating Gross Output, MBH</b>	293	389

### Gas Input Ranges

Model	Range (BTU/H)	TDR
NFB-301C	20-301	15:1*
NFB-399C	26-399	15:1*

\*15:1 single boiler; 10:1 individual boilers when cascaded.

### Temperature Setting Range

Item	Temperature Setting Range	Remarks
Space Heating	Supply 77-190°F (25-88°C)	Actual supply and return temperatures vary depending on the selected outdoor reset curve.
	Return 68-158°F (20-70°C)	

### Warranty

Type	Residential Applications	Commercial Applications
Heat exchangers	15 year limited*	10 years
Parts	5 years	3 years
Labor	1 year	1 year

\*12 years full plus 3 years prorated.

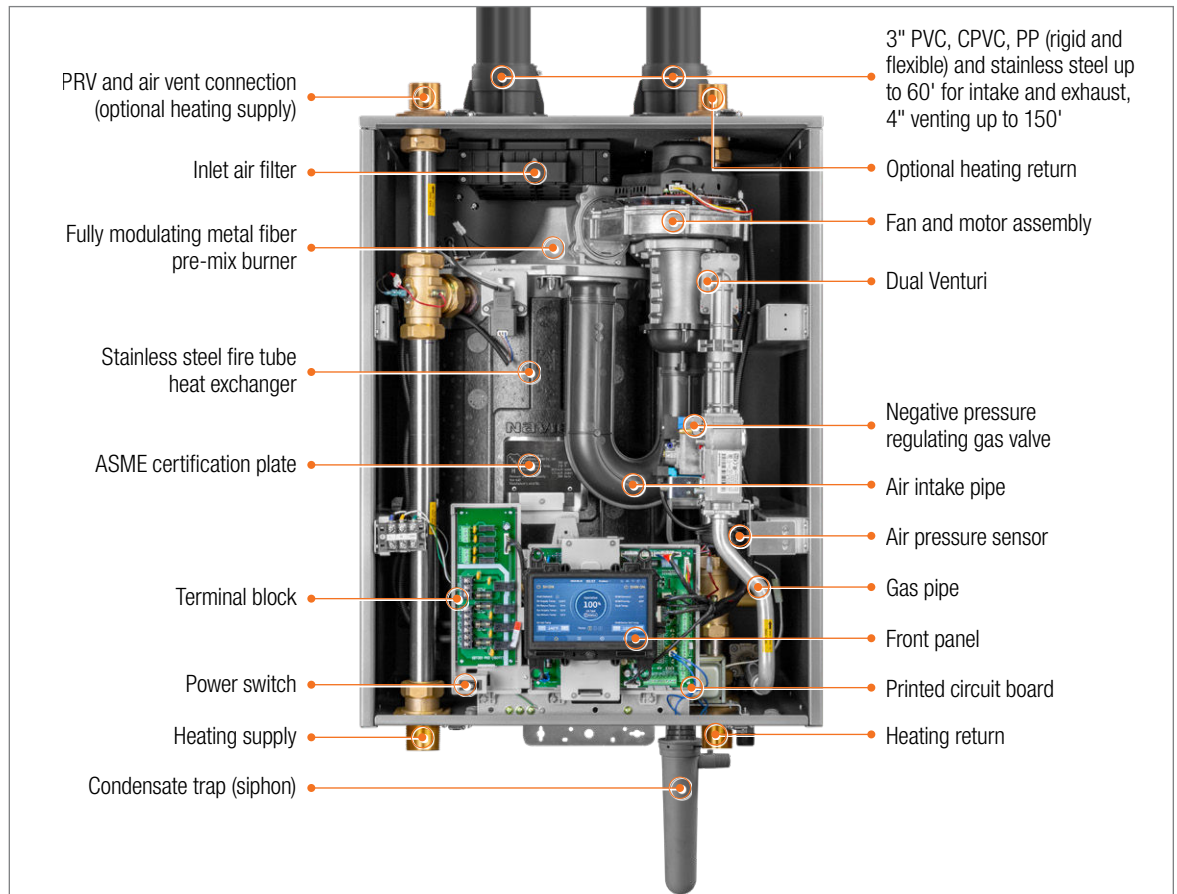
For complete details please refer to the full warranty at NavienInc.com.

### Product Features

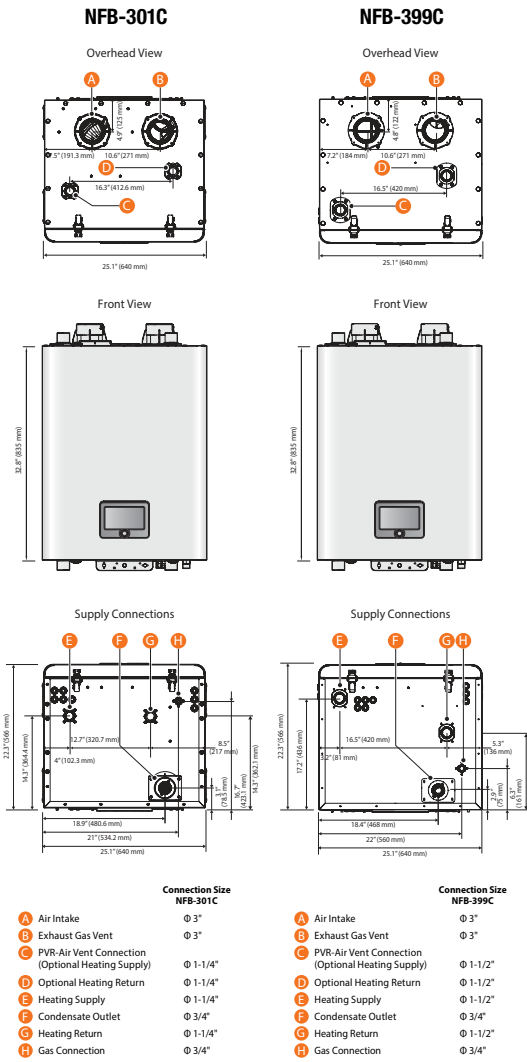
- TDR UP TO 15:1**
- TE 97.5%**
- USB PORT**
- 7" TOUCH SCREEN**
- TOP & BOTTOM PIPING**
- OPTIONAL NavILink™ WI-FI CONTROL**
- ENERGY STAR APPROVED**



### NFB-C: The Inside Story



## Dimensions



## Ratings & Specifications

Model Number <sup>1</sup>	Heating Input (MBH)		Heating Capacity <sup>2</sup> (MBH)	Net AHRI Rating Water <sup>3</sup> (MBH)	Thermal Efficiency <sup>2</sup> (%)	Boiler Water Content (Gallons)	Water Pressure (PSI)	Water Connection Size (Supply, Return)
	Min	Max						
NFB-301C	20	301	293	255	97.5	7.6	12-160	1-1/4" NPT
NFB-399C	26	399	389	338	97.5	9.6		1-1/2" NPT

<sup>1</sup> Ratings are the same for Natural Gas models converted to Propane use.

<sup>2</sup> Based on U.S. Department of Energy (DOE) test procedures.

<sup>3</sup> The NET AHRI Water Ratings shown are based on a piping and pickup allowance of 1.15.

Consult Navien before selecting a boiler for installations having unusual piping and pickup requirements, such as intermittent system operation, extensive piping systems, etc.

Item	Model	
	NFB-301C	NFB-399C
Dimensions	25.1" W x 22.3" D x 32.8" H	
Boiler weight	Empty	243 lb (110 kg)
	With water	307 lb (139 kg)
Installation type	Indoor wall-hung	
Venting type	Forced draft direct vent and non-direct vent (single pipe)	
Ignition	Electronic ignition	
Natural Gas supply pressure (from source)	3.5" to 10.5" WC	
Propane Gas supply pressure (from source)	8.0" to 13.5" WC	
Natural Gas manifold pressure	-0.06" to -0.87" WC	-0.03" to -1.85" WC
Propane Gas manifold pressure	-0.01" to -0.92" WC	-0.01" to -0.90" WC
Gas connection size	3/4" NPT	
Power supply	Main supply	120V AC, 60Hz
	Maximum power consumption	Less than 12 amperes
Materials	Casing	Cold-rolled carbon steel
	Heat exchangers	Stainless steel
Venting	Exhaust	3" or 4" PVC, CPVC, PP and SS 3" or 4" special gas vent type BH (Class III, A/B/C)
	Intake	3" or 4" PVC, CPVC, PP and SS 3" or 4" special gas vent type BH (Class III, A/B/C)
	Vent clearance	0" to combustibles
Safety devices	Flame rod, APS, LWCO, water temperature high limit switch, exhaust temperature high limit sensor, water pressure sensor	

Navien reserves the right to change specifications at any time without prior notice.

Please refer to [www.NavienInc.com](http://www.NavienInc.com) to verify you have the most current information.

## Optional Accessories

<b>NaviLink™ Wi-Fi Control</b> PBCM-AS-001 <b>NaviLink™ Cable</b> GXXX001659	<b>Ready-Link® Commercial Rack System</b> Base and add-on will include pipe support brackets. <b>Base</b> GFFM-KDIZUS-007 <b>Add-on</b> GFFM-KDIZUS-008	<b>Pressure Relief Valves</b> <b>75 PSI</b> GXXX001931 <b>150 PSI</b> GXXX001946	<b>Commercial Neutralizer</b> Up to: 11 units NFB-301C; 9 units NFB-399C GXXX001325 <b>Commercial Replacement Media</b> GXXX001329	<b>Light Commercial Neutralizer</b> Up to: 3 units NFB-301C; 2 units NFB-399C GXXX001324 <b>Light Commercial Replacement Media</b> GXXX001328	<b>Ready-Link® Communication Cable</b> GXXX000546	<b>Zone Pump Controller</b> <b>2 Zones</b> PFMZ-02P-001 <b>3 Zones</b> PFMZ-03P-001 <b>4 Zones</b> PFMZ-04P-001 <b>6 Zones</b> PFMZ-06P-001	<b>Universal Temperature Sensor</b> GXXX001769	<b>NFB-C Common Vent Collar Kit</b> Required for cascade/common vent installations. 30022799A  Includes cascade cable (GXXX000546) and common vent collar damper.	<b>Modbus/BACnet Gateway &amp; Power Adaptor</b> GXXX001932	<b>LonWorks Gateway &amp; Power Adaptor</b> GXXX001933



Navien Inc., 20 Goodyear, Irvine, CA 92618 800-519-8794 NavienInc.com



T H E L E A D E R I N C O N D E N S I N G T E C H N O L O G Y