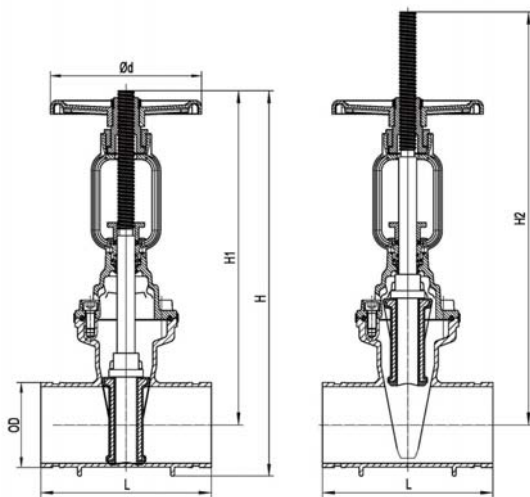


Resilient seated OS&Y gate valve-grooved end

Model No. Z81X



Name of parts	Material
Body	Ductile iron
Wedg	Ductile iron+EPDM
Stem nut	Bronze
Stem	SS431 or SS304, SS316, bronze
Bonnet	Ductile iron
Bonnet Gasket	EPDM
Sealing Ring	EPDM
Yoke	Ductile iron
Sliding disc	Bronze
Screw	Carbon steel with hot galvanization
O-rings	EPDM
Handwheel	Ductile iron



Technical data >

- Sizes: DN50/60~DN200/219
- Working pressure: PN25, 362PSI
- Valve standard: AWWA C515
- Grooved standard: AWWA C606
- Temperature range: 0 ~ 80 °C

Dimensions		Pressure rating	Size (mm)					
DN	inch		psi	OD	L	H1	H2	H
50	2	362	60.3	178	358.5	420.5	403.5	203
65	2.5		73					
			76.1	190	359.5	429.5	411	203
80	3	362	88.9					
100	4	362	114.3	229	449.5	553	518.5	300
125	5	362	139.7	254	549.5	677	631	300
			141.3					
150	6	362	165.1	267	591.5	747	686	300
			168.3					
200	8	362	219.1	292	735.5	938	865	330