

Kalyxx¹⁰⁰ MINI

Water filter with 99.99%
limescale prevention

Purifies Water.
Prevents Limescale.
2-in-1 Power

- 99.99% EFFICIENT LIMESCALE PREVENTION
- FILTERS MUD AND RUST (75 µm)
- INSERT LIFESPAN 12 MONTH OR 22 000 LITRES
- DURABLE METAL BODY
- EASY TO USE



- Protects your home appliances from limescale
- Reduces detergent consumption and increases its efficiency
- Enhances the longevity of your appliances
- No need for anti-limescale agents when washing

PATENT
PROTECTED

Let the Water Flow

IPS KalyxX 100 mini

- **Effective protection against limescale** – confirmed 99,99% in limescale reduction: LDS technology prevents the formation of limescale through weak electrical interactions with mineral ions.
- **Effectively filtering** impurities, rust, mud and other large particles in the water.
- **Long lifespan:** The filter is effective for 22,000 liters of water, and its efficiency lasts up to 12 months, providing cost-effective protection.
- **Easy installation and replacement** of the filter cartridge.
- **Rust-proof and corrosion-resistant** - made of metal and stainless steel.
- **Alternative to polyphosphates:** Unlike conventional polyphosphates, which can leave undesirable residues in some cases, this filter does not affect the chemical composition of water and does not cause pollution.



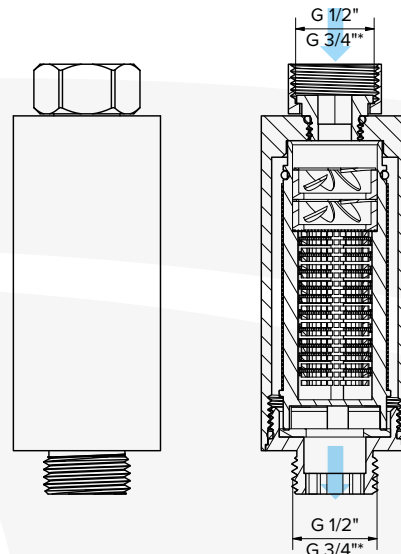
◀ Comparison of action in water after 12 hours: on the left, the medium used in KalyxX 100 mini, on the right, polyphosphates.



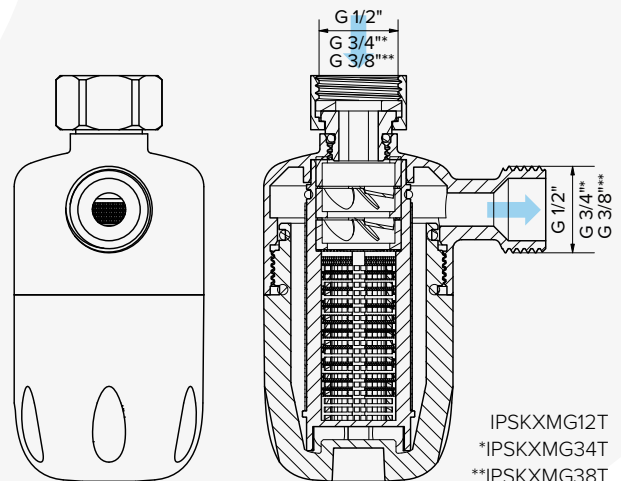
Without water treatment.



After water treatment via IPS KalyxX 100.



IPSKXMG12W
*IPSKXMG34W



IPSKXMG12T
*IPSKXMG34T
**IPSKXMG38T

Technical parameters

IPS KalyxX 100 mini		Filter accuracy	Water flow rate	Rated working pressure	Ambient temperature	Maximum water hardness	Lifespan
1/2" IPSKXMG12W 3/4" IPSKXMG34W	mini filter linear	75 µm	0.9 m³/h	0.75 MPa	1°C - 50 °C	< 56 °dH (10 mmol/l)	
1/2" IPSKXMG12T 3/8" IPSKXMG38T 3/4" IPSKXMG34T	mini filter angle	75 µm	0.9 m³/h	0.75 MPa	1°C - 50 °C	< 56 °dH (10 mmol/l)	
IPSKXMINSERT	replacement insert	75 µm	0.9 m³/h	0.75 MPa	1°C - 50 °C	< 56 °dH (10 mmol/l)	12 months or 22.000 litres

It is recommended to clean the filter element once every three months (depending on the actual water consumption, raw water quality, etc.).